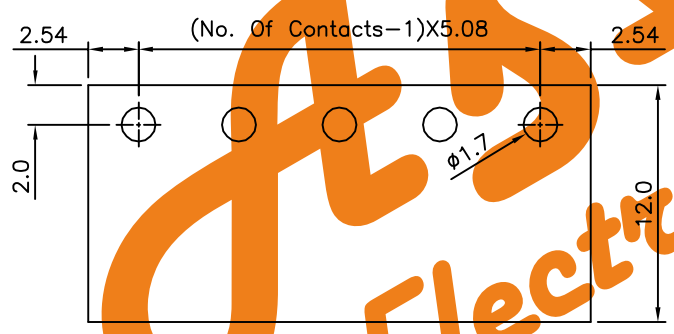
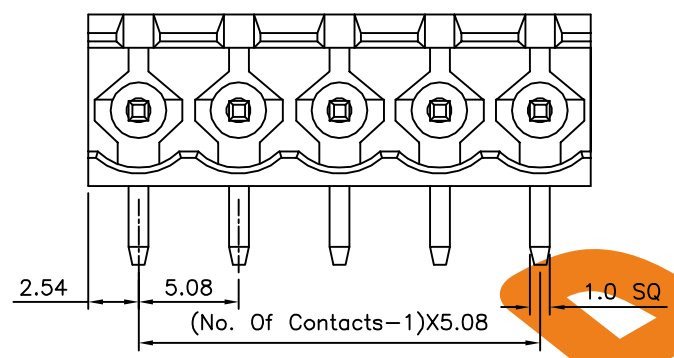


△ SPECIFICATION
 Voltage Rating: 300V AC
 Current Rating: 16A
 Withstanding Voltage: AC 2500V (1 Minute)
 Using Temperature Range: -40°C ~ +105°C
 Soldering Temperature: +250, 5 Seconds Max.
 Solder Pin: Copper Alloy, Tin Plated
 △ Insulator Body (Housing): Polyamide + G.F. (UL94V-0), Green
 RoHS Compliant



Recommended P.C.B. Layout

AsA Electronic
 WWW.AsA-Elec.com
AsA Electronic Co.
 Tel : (+98) 21 66 73 56 82 Mob : (+98) 912 03 161 02

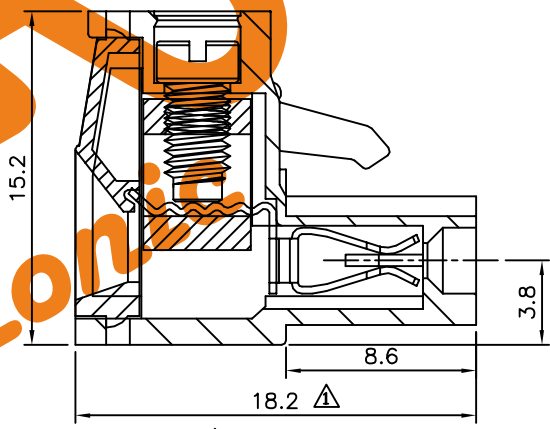
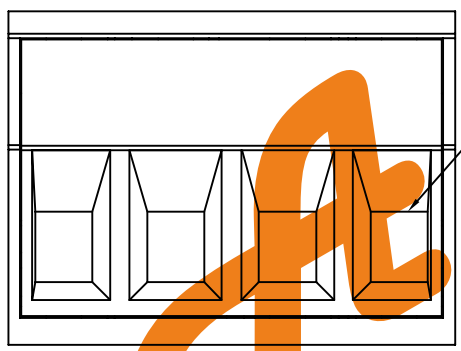
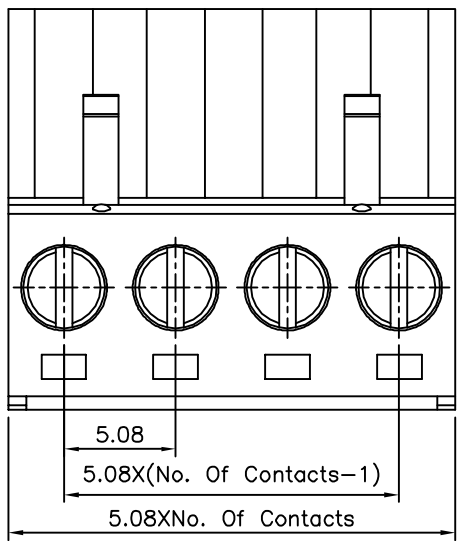
I		APPROVED BY		UNLESS OTHERWISE SPECIFIED TOLERANCES ARE X. ±0.50 .X ±0.30 .XX ±0.20 ANG. ±1°
telegram: 0939699470		EMILY		
		CHECKED BY H.Z		
		DRAWING BY HIP		
SCALE	NONE	REV.	A2	UNIT mm

NO.	REV.	REVISIONS	CHK	DATE
△ A2		Modify Data	HZF	08/08/2014
△ A1		Modify Data	HZF	02/17/2012
△ A0		NEW RELEASE	HZF	04/10/2009



SPECIFICATION

Current Rating:16 Amp/Way Max.
 Voltage Rating:300V AC
 Contact Resistance:20 Milliohms Max.
 Withstanding Voltage:2500V AC(1 Minute)
 Test Time=60 Sec./1 PCS
 Operation Temperature:-40°C~+105°C
 Soldering Reliability:Test Temperature=250°C±10°C/
 5 Seconds Max.
 Wire Range:12~26 AWG
 Torque:5.0 Kgf.cm/M3
 Insulator Body(Housing):Polyamide(UL94V-0),Green
 Contact(Metal Housing):Copper Alloy,Nickel Plated
 Wire Guard:Copper Alloy,Tin Plated
 Screw:Steel,Galvanized With Cr3+ Plated
 RoHS Compliant



WWW.AsA-Elec.com

AsA Electronic Co.

Tel : (+98) 21 66 73 56 82 Mob : (+98) 912 03 161 02

telegram: 09396994470		APPROVED BY		UNLESS OTHERWISE SPECIFIED TOLERANCES ARE X. ±0.50 .X ±0.30 .XX ±0.20 ANG. ±1°	UNIT mm
		EMILY			
		CHECKED BY			
DRAWING BY		YBL		NO. REV.	REVISIONS
SCALE	NONE	REV.	A3		

A3	Modify Spec.	HZF	02/12/2014
A2	Modify Data	HZF	12/16/2011
A1	Modify Data	HZF	06/29/2010
A0	NEW RELEASE	HZF	04/10/2009